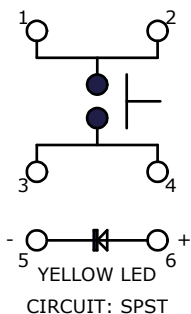
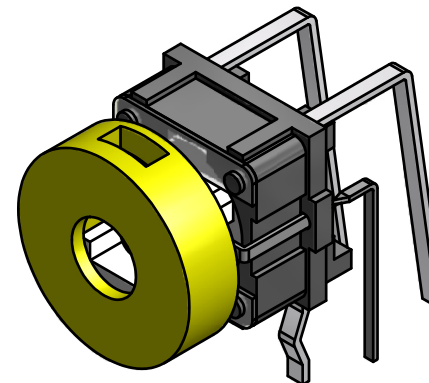


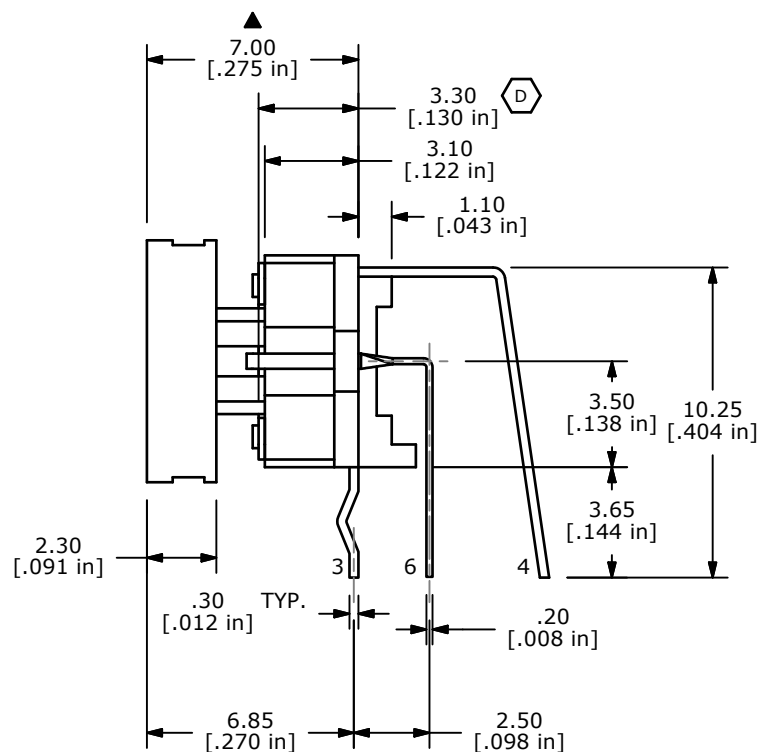
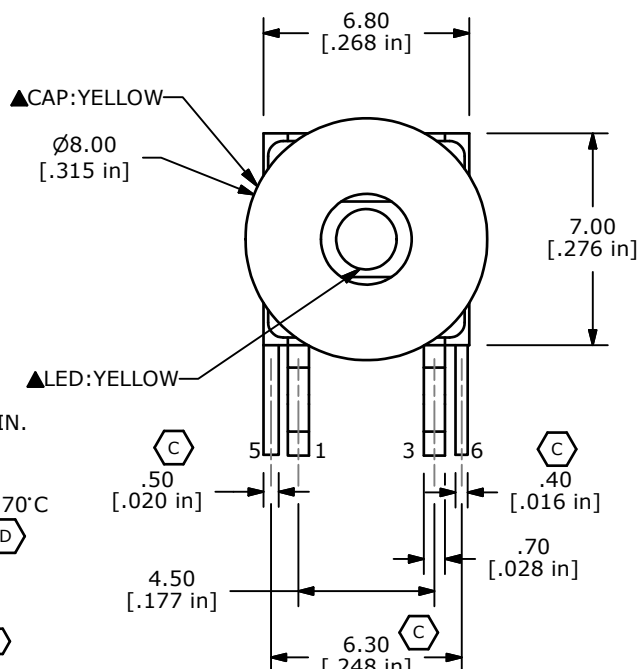
P.C.B. LAYOUT



LED SPECS	UNITS	YELLOW
FORWARD CURRENT	mA	20 TYP.
FORWARD VOLTAGE	V	2.0 TYP. - 2.5 MAX.
LUMINOUS INTENSITY	MCD	1800 TYP.



- NOTES:
- ALL DIMENSIONS IN MM [INCH]
  - GENERAL TOLERANCE: X.X=±0.4  
X.XX=±0.25
  - RATING: 12VDC @ 50mA
  - CONTACT RESISTANCE: 100mΩ MAX.
  - INSULATION RESISTANCE: 100MΩ MIN.
  - OPERATING FORCE: 160±50gf
  - TRAVEL: 0.2±0.1mm
  - OPERATING TEMPERATURE: -20°C TO 70°C
  - OPERATING LIFE: 500,000 CYCLES
  - LED: YELLOW
  - ▲ DENOTES CRITICAL PARAMETERS
  - 2002/95/EC (ROHS) COMPLIANT
  - PACKAGING: 100 PIECES PER TRAY



E	21666	ADDED NOTE 13	10/23/14	AS
D	19956	CORRECT NOTES / LED CHART / DIM	05/23/11	BMA
C	19542	UPDATE DRAWING	12/21/10	BGL
B	17281	ADD GEN. TOLERANCE NOTE	5/11/07	TN
REV	PCR NO	DESCRIPTION	DATE	BY

THE INFORMATION CONTAINED IN THIS DOCUMENT IS PROPRIETARY TO E-SWITCH AND IS NOT TO BE COPIED OR TRANSFERRED



TITLE TL1260YQRYEL

SCALE	DATE	DR	DWG	REV
4:1	5/11/2007	TN	B200005	E